



A Tenaga Nasional Subsidiary

NOTICE OF REQUEST FOR QUOTATION (RFQ)

Vendors are invited from company incorporated in Malaysia and registered with Tenaga Nasional Berhad (TNB) for supply, installation and commissioning of work as follows:

RFQ Description	Open RFQ for CME Works and Renovation for MDF Room at A17 TLDM Lumut
Category of Works/Supplies	Network
RFQ Floatation Date	Monday, 1 st April 2024
RFQ Closing Date	Thursday, 4 th April 2024 (12:00 noon)
Submission of RFQ Documents	The RFQ Documents shall be submitted in hardcopy . <i>(optional - softcopy via USB Drive)</i> <i>*Please attached together the TNB vendor registration certificate</i>
Submission of the RFQ Documents shall be hand delivered to Allo Tender Box as per the following address:	ALLO TECHNOLOGY SDN BHD Level 3, Left Wing, College of Computer Science and Information Technology (CSIT), UNITEN, 43000 Kajang, Selangor (Attn: Procurement & Supply Chain Department) (RFQ No: ALLO-RFQ-ROOMRENO-TLDMMLUMUT)

1. Qualification/Mandatory Requirement

- Registered as a vendor with Tenaga Nasional Berhad (TNB).

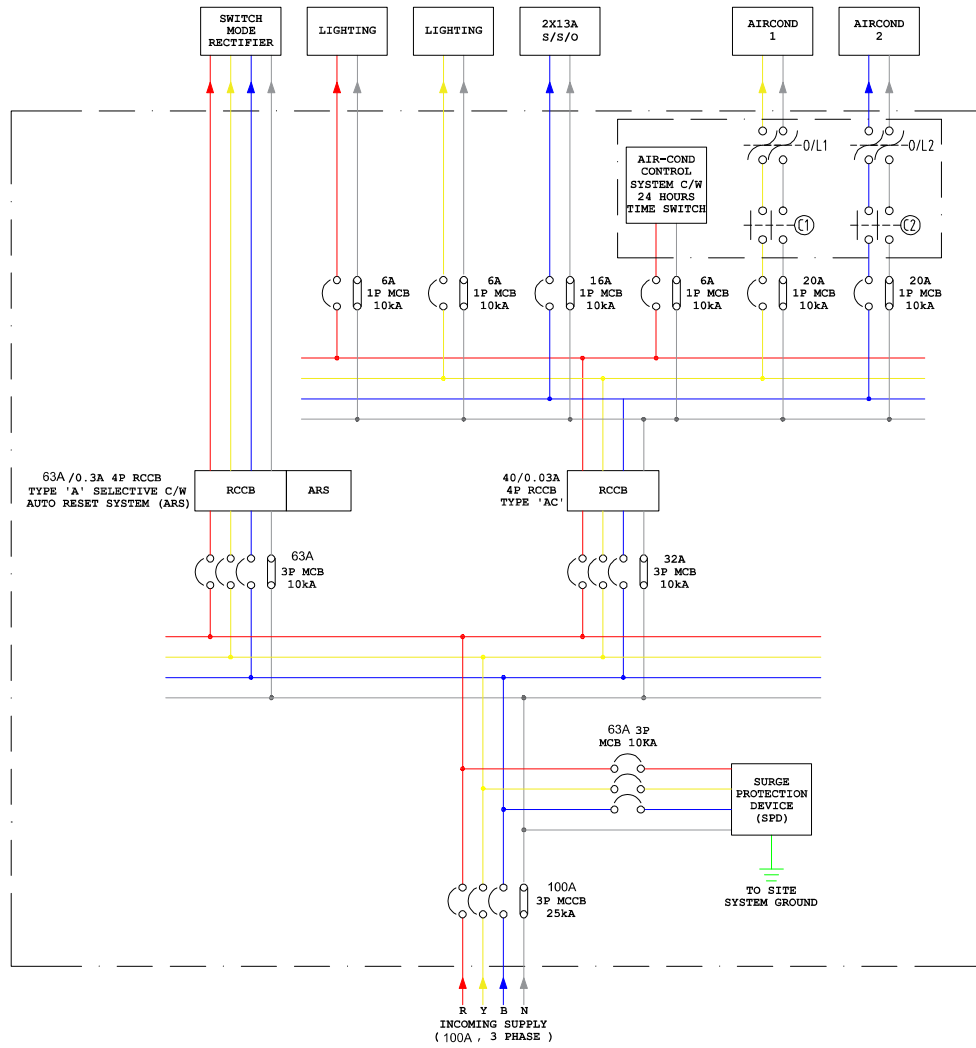
2. Contact info for Technical Enquiries

- Contact Person: Syahrul Arman Samsuri
- Email: syahrul@allo.my

3. Contact info for RFQ General Enquiries

- Contact Person: Norwanis Binti Ahmad Termizi
- Email: norwanis@allo.my / procurementallo@allo.my

ELECTRICAL SCHEMATICS





A Tenaga Nasional Subsidiary

NOTICE OF REQUEST FOR QUOTATION (RFQ)

4. Submission of RFQ Document

Flow process for RFQ documents submission as per below:

SINGLE MASTER ENVELOPE / SINGLE PARCEL PACKAGE

What to do:

1. Include the RFQ documents into a **SINGLE MASTER ENVELOPE OR SINGLE PARCEL PACKAGE**.
2. Submission shall be in **SEALED** Single Master Envelope or Single Parcel Package and placed in Allo's Tender Box.
3. Affix label as shown below



HAND-DELIVERY TO:

Allo Technology Sdn Bhd,
Level 3, Left Wing,
College of Computer Science and Information
Technology (CSIT)
UNITEN, 43000 Kajang, Selangor

**(Attn: Procurement & Supply Chain Department)
(RFQ No: ALLO-RFQ-ROOMRENO-TLDMLUMUT)**

**No later than 12:00 noon
on Thursday, 4th April 2024**